

工作原理 Working Principle

利用电机带动叶片旋转,当被测介质上升到叶片位置时,叶片受介质阻挡停止转动从而通过相关控制机构输出开(通)或关(断)的触点信号;介质下降离开叶片时,在弹簧的作用下,叶片恢复原位继续转动探测介质的位置变化。

The motor is used to drive the paddle to rotate. When the measured medium rises to the paddle position, the paddle stops rotating by dielectric barrier and outputs contact signal ON or OFF through the relevant control mechanism; when the medium drops away from the paddle, the paddle restores to the beginning position to rotate and detect the position change of the medium under the function of spring.



特点 Features

- 结构紧凑, 外形小巧
- 锌合金壳体, 坚实可靠
- 原装进口电机, 性能稳定
- 不同物料检测, 有多种叶片供选择
- 小型料仓(料斗)料位检测的最佳选择
- Compact structure with exquisite appearance
- Solid and reliable zinc alloy shell
- Imported motor with stable performance
- Detection of different mediums with many kinds of paddles for selection
- The optimum choice of material level detection in small container (hopper)

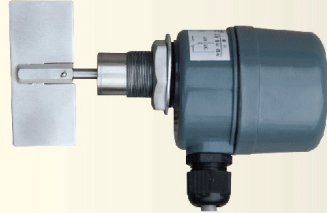
技术参数 Technical Specification

电源电压: 标准型:220VAC(110VAC、24VAC、24VDC)
输出: 250VAC/5A(阻性负载), SPDT(单刀双掷)
导线: 5芯护套线长500mm
安装: 螺纹3/4" PF(可根据要求定制)
功率: 1.5 W
检测扭矩: 约4.9N.cm
叶片转速: 1rpm
叶片规格: 80×35mm(一字、镰刀、弹簧叶片可选)
插入长度: 标准型:L=85mm(可特殊加长定制)
介质温度: 常温型: -30~80℃、高温型: max 200℃

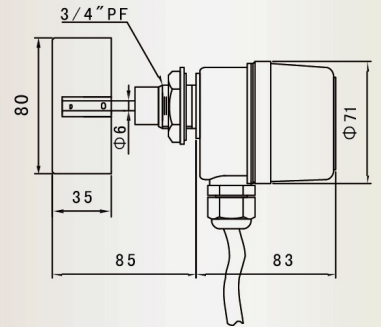
Power Supply: Standard : 220VAC (110VAC,24VAC,24VDC)
Output: 250VAC/5A (Resistive Load), SPDT
Guide Wire: 5 cores with 500mm sheath wire
Installation: Screw 3/4"PF (customizable as required)
Power: 1.5 W
Rotating Torque: about 4.9N·cm
Blade Rotational speed: 1rpm
Blade Size: 80×35mm (Linear, sickle, spring paddle for selection)
Inserting Length: Standard: L=85mm (customizable for special length)
Medium Temperature: Normal Temperature: -30-80℃
High Temperature: max200℃

SR-80

标准型

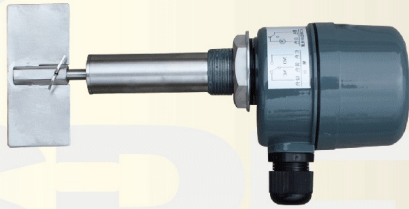


Standard Type

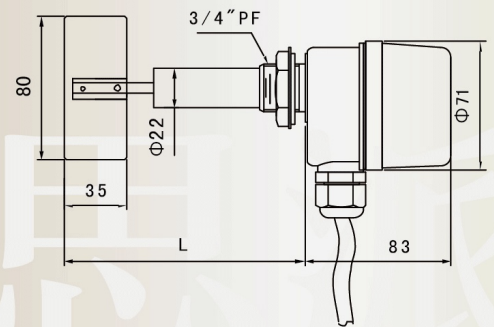


SR-80L

轴保护管加长型

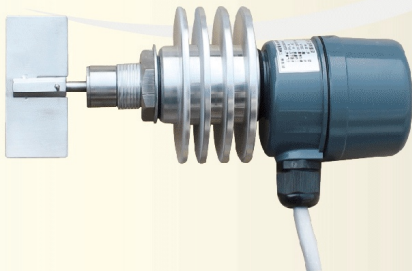


Extended Shaft with Protection Tube Type

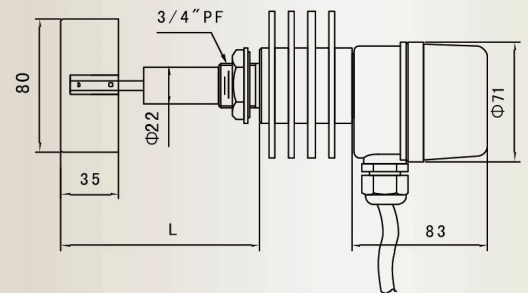


SR-80T

高温型

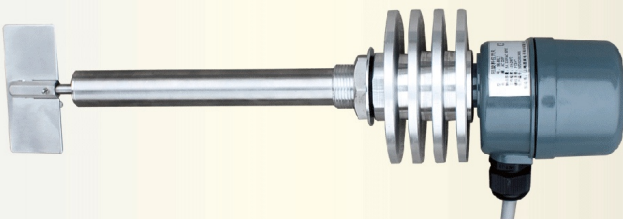


High Temperature Type

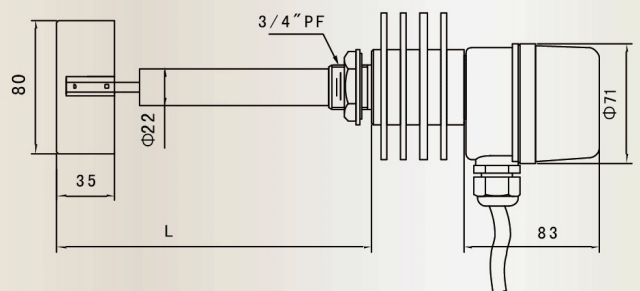


SR-80LT

高温加长型



High Temperature Extended Type



选型指南 Configuration

SR-80 □-□ □-□□□□

插入深度 Inserting Depth
单位 unit: mm

叶片规格 Paddle Type

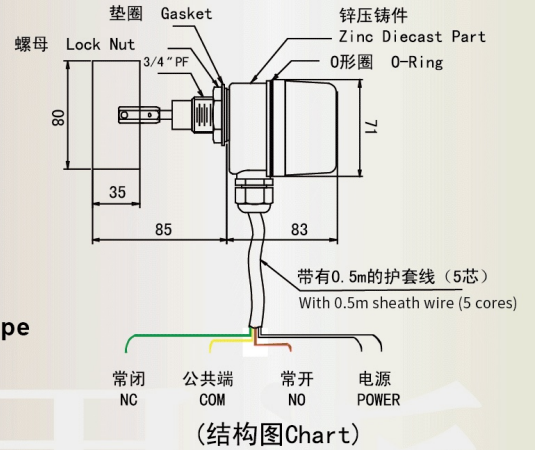
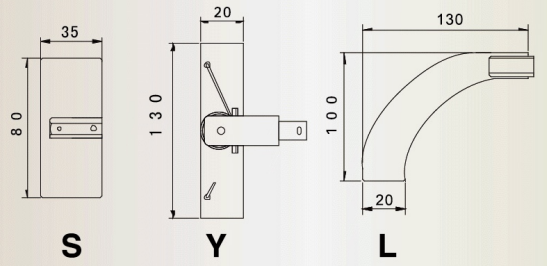
- S: 标准型一字叶片 Standard Linear Paddle
- Y: 弹簧叶片 Spring Paddle
- X: 特殊定制叶片 Special Ordered Paddle
- L: 镰刀叶片 Sickle Paddle

电源 Power Supply

A: 220VAC B: 110VAC C: 24VAC D: 24VDC

类型 Type

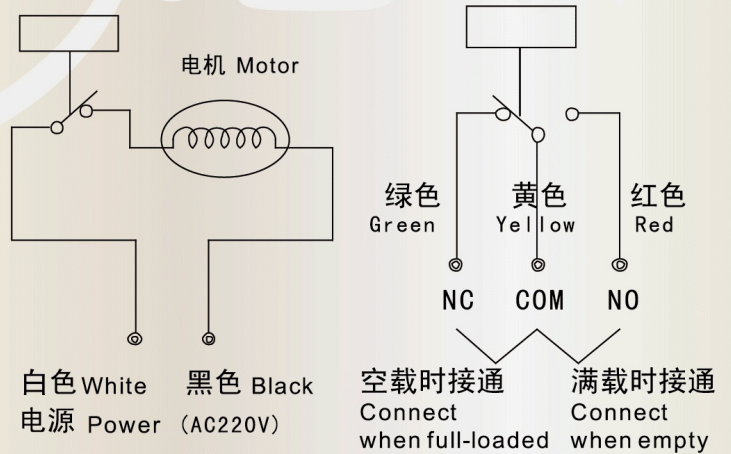
- S: 标准型 Standard Type
- L: 轴保护管加长型 Extended Shaft with Protection Tube Type
- T: 高温型 High Temperature Type
- LT: 高温加长型 High Temperature Extended Type



灵敏度调节 Sensitivity Adjustment



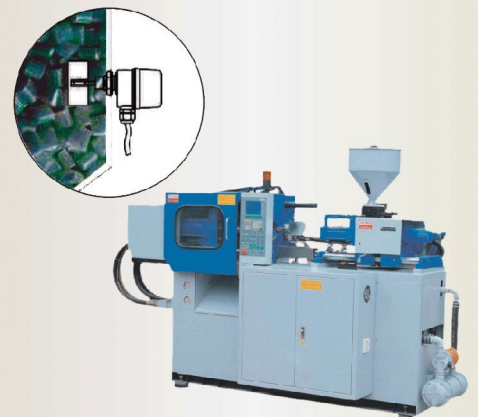
接线图 Connection Diagram



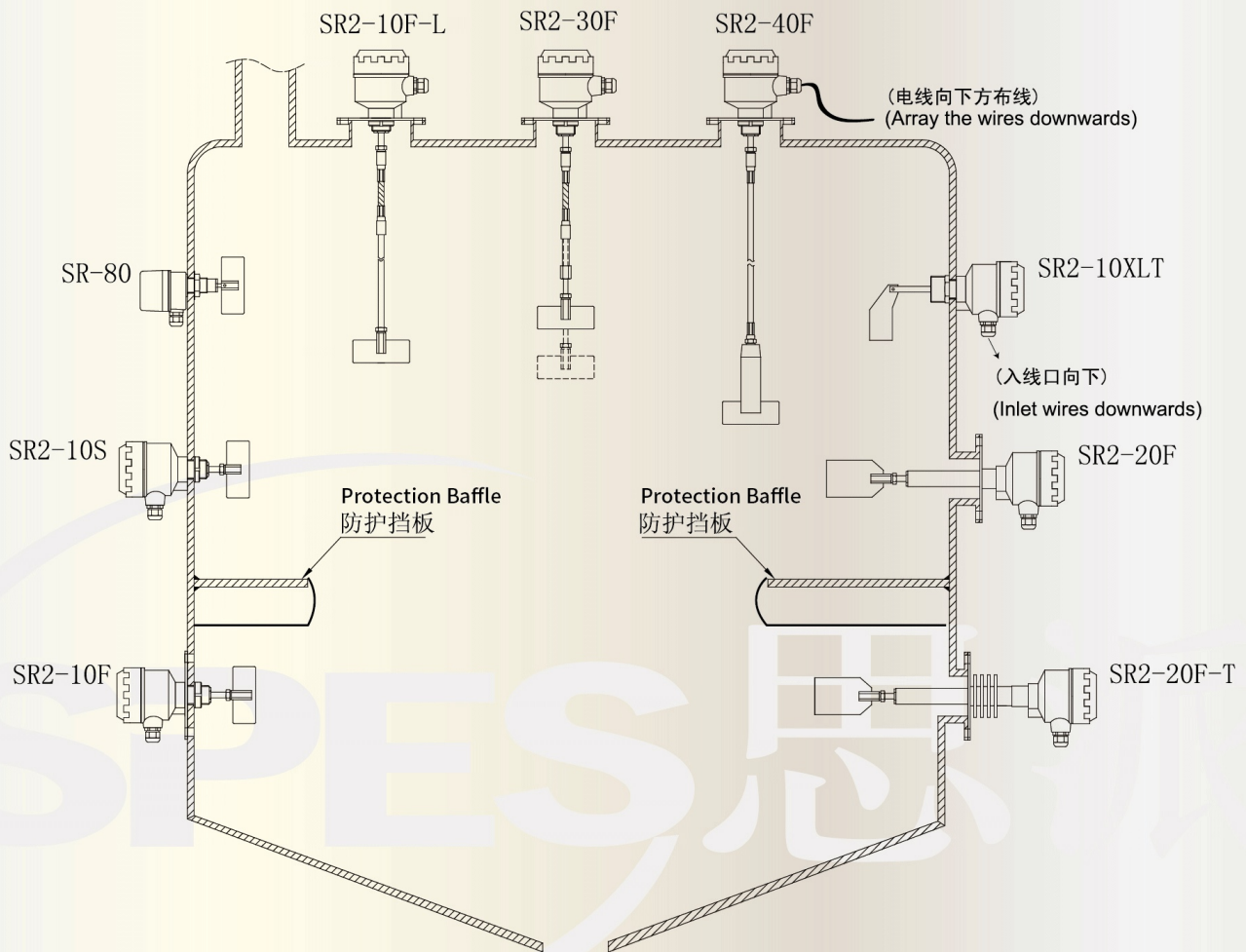
适用场所 Application

注塑机、挤出机、干燥机、包装机、混合机、自动上料系统等塑料、食品、制药、饲料、水泥多种行业设备。

Applicable to the equipment in the industry of plastic, food, medicine, feed and cement ect., such as injection molding machine, extrusion machine, drying machine, packing machine, mixer and automatic feeding system.



安装注意事项 Installation Precaution



1. 安装前请确认电源电压以免损坏电机。

Please confirm the power supply before installation to avoid damage to the motor.

2. 安装时请勿安装在进料口下方，以避免物料直接冲击。

Do not install under the inlet to avoid material impact.

3. 水平安装时，请将入线口垂直向下，垂直安装时，请将外部电线向下方布线（如图），并锁紧入线口接头及接线盒上盖，以免雨水等异物渗入，影响产品的正常使用。

During horizontal installation, please keep the wire inlet downward; during vertical installation, please keep the external wires downward (see above diagram) and fasten the inlet connector and the upper cover of the junction box to avoid the infiltration of rainwater and other substances so as to guarantee normal operation.

4. 水平安装时，可将料位开关水平向下倾斜15-20°，减少物料堆积。

During horizontal installation, the level switch can be tilted down horizontally at 15°-20° to reduce material accumulation.

5. 大料仓低位水平安装时，请家装防护挡板（如图），可用于长于组选开关50mm的半圆管（半径约150mm），固定（焊接）在料位开关正上方250mm处。

When the rotary paddle level switch is installed at a low level in a large container, please install a protection baffle (see above diagram) which can be used for semi-round tube longer than the rotary paddle level switch 50mm (radius about 150mm) and fixed at 250mm directly above the material level switch.